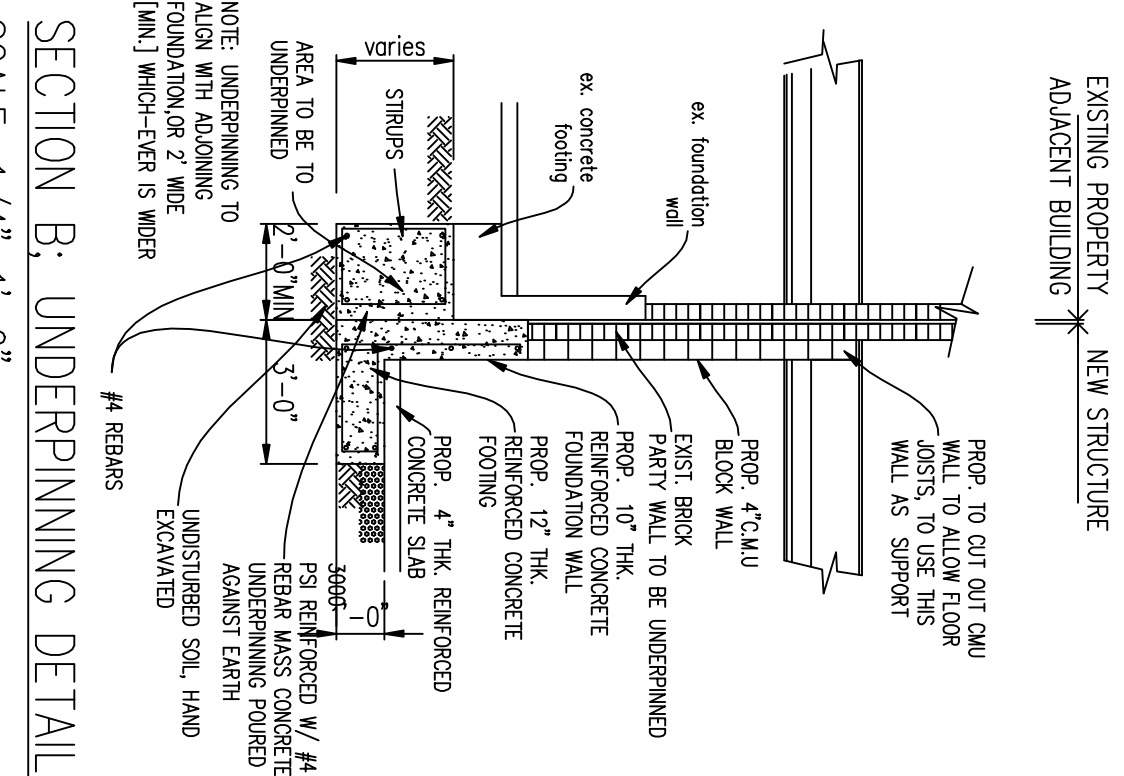
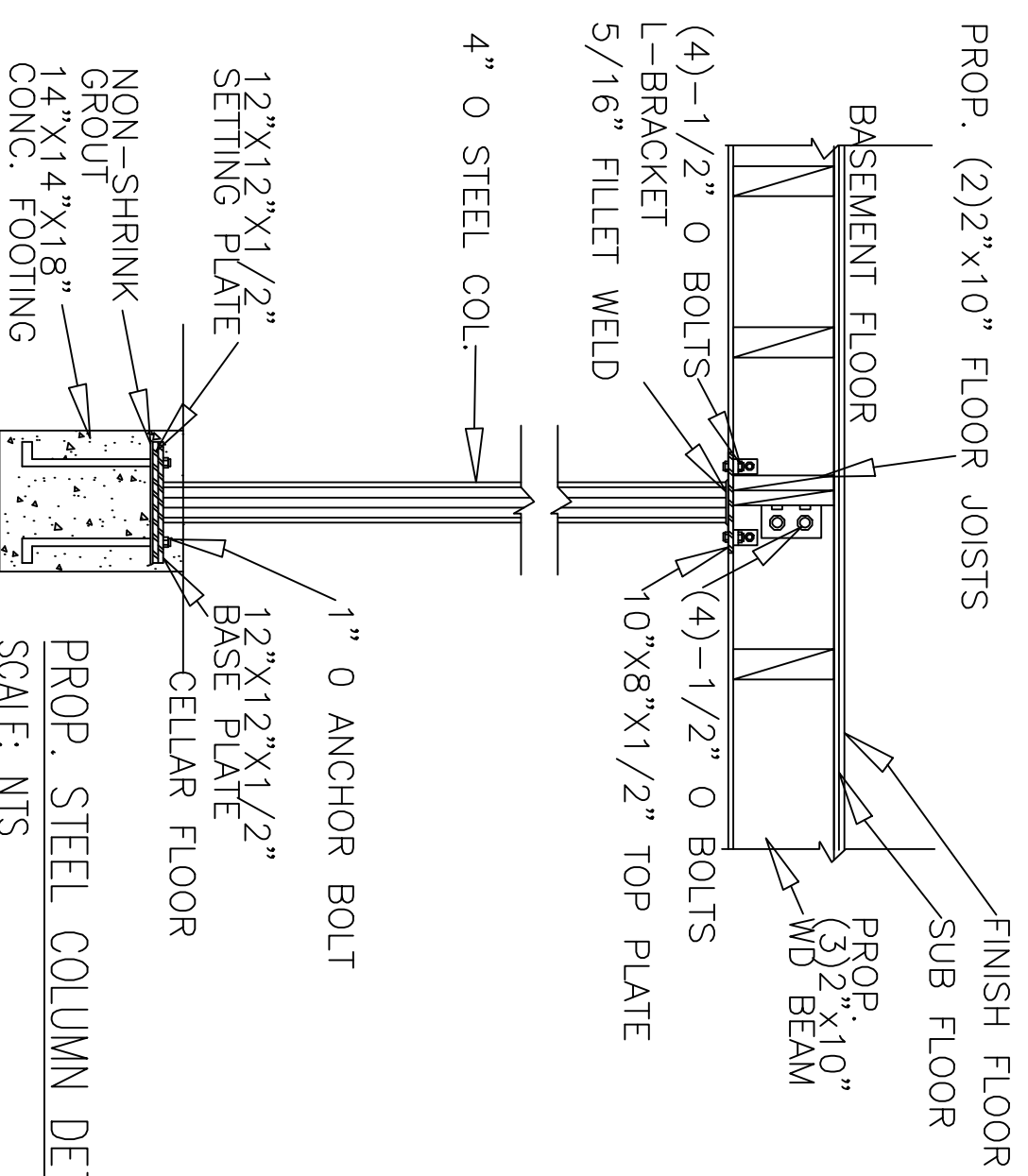


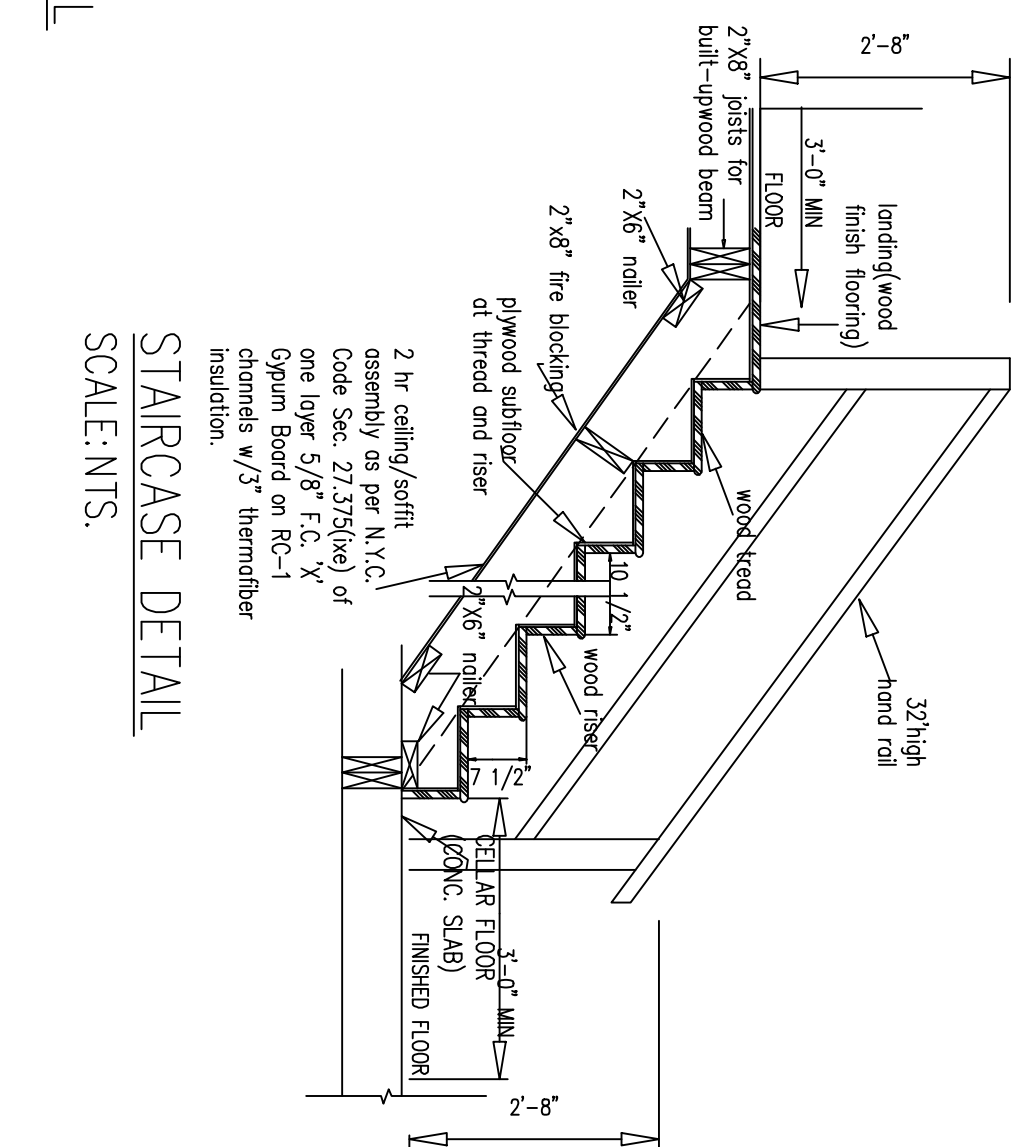
SECTION A
SCALE: 1/4"=1'-0"



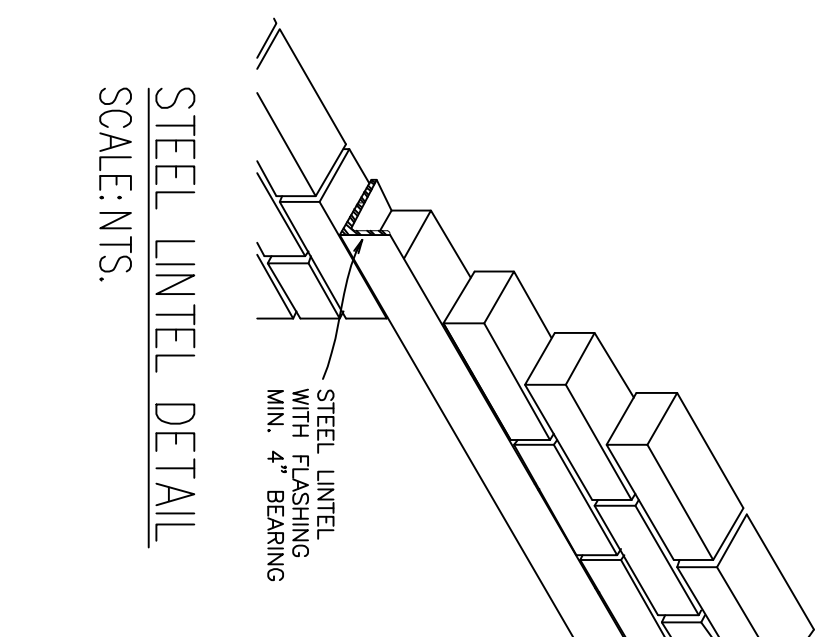
SECTION B: UNDERPINNING DETAIL
SCALE: 1/4"=1'-0"



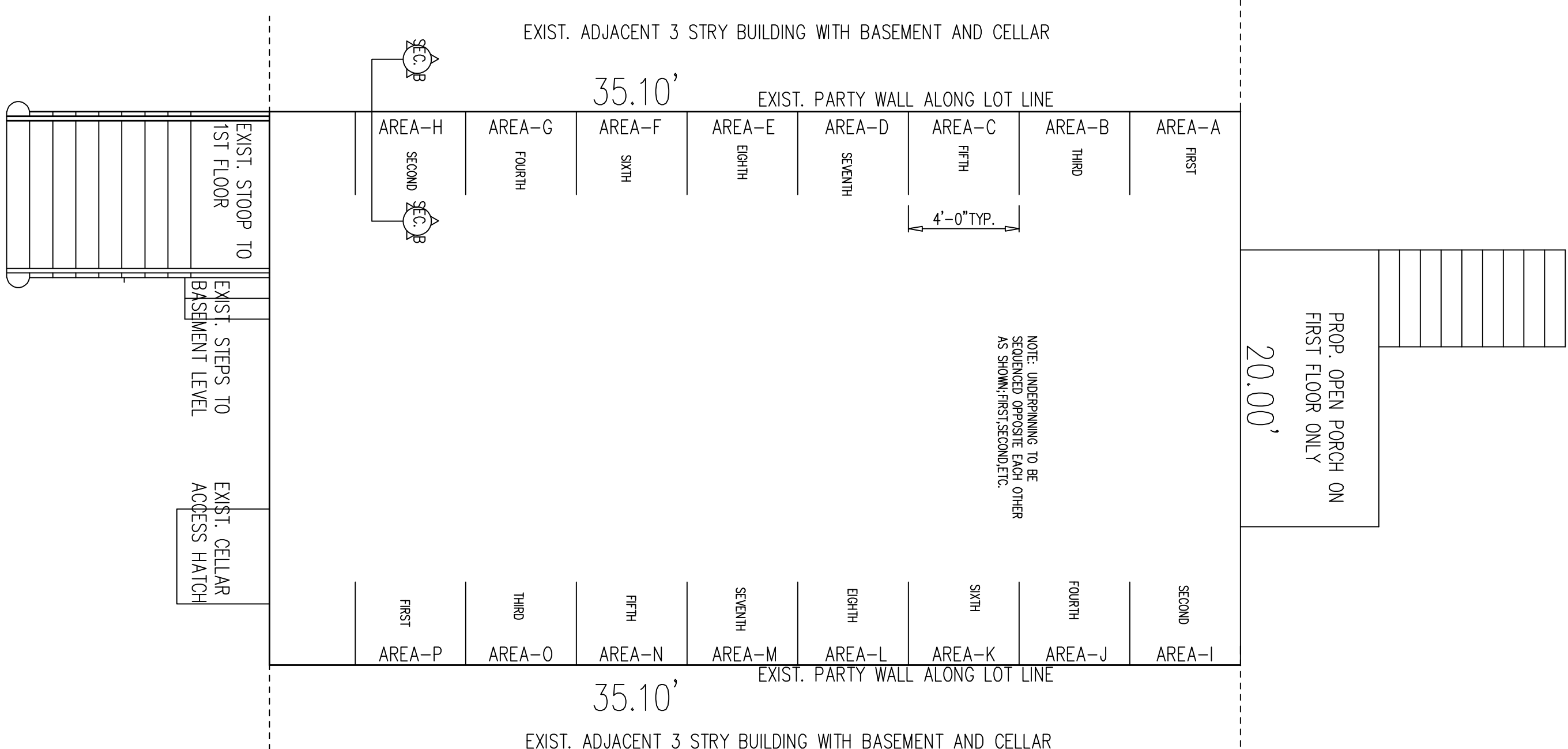
PROP. STEEL COLUMN DETAIL
SCALE: NTS



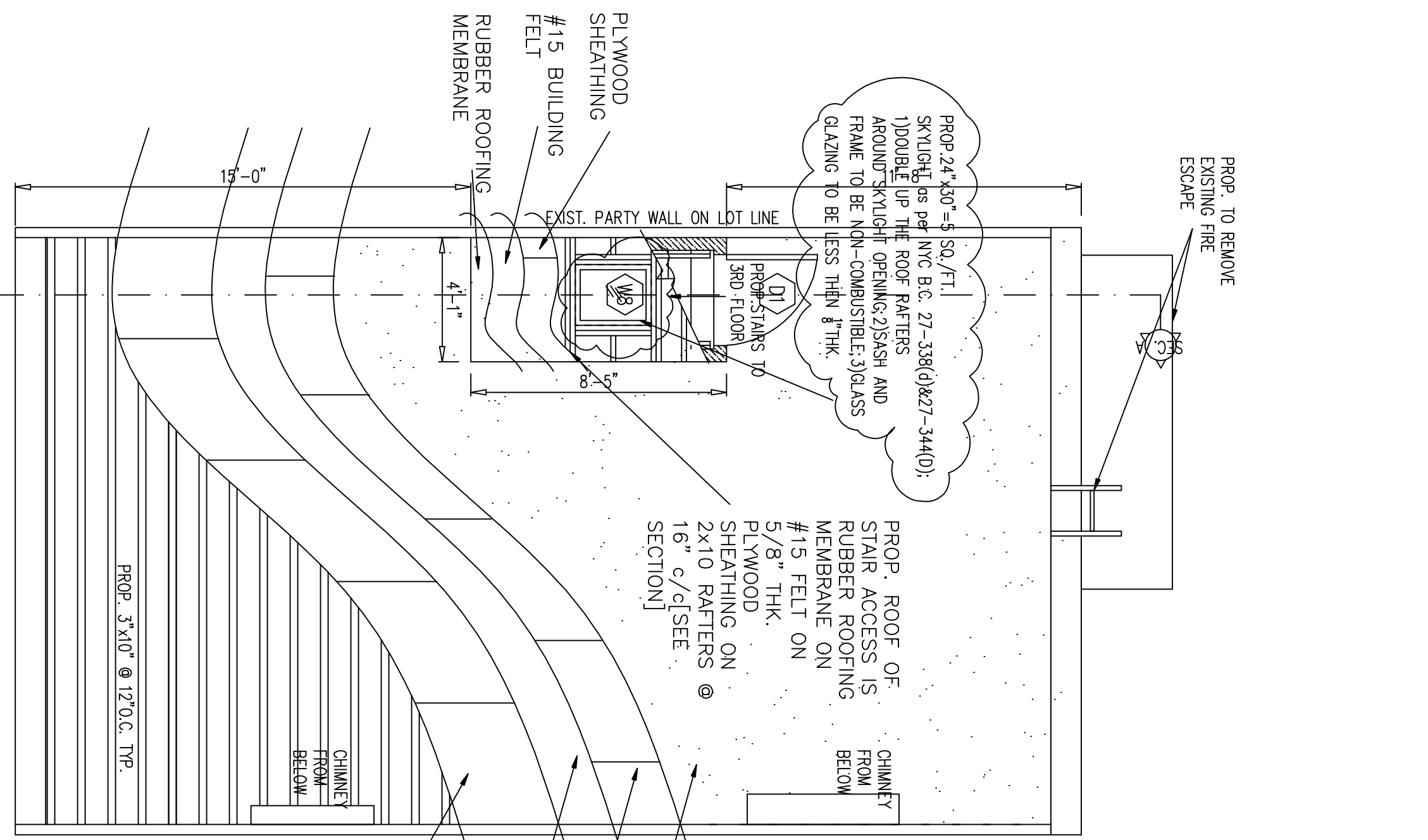
STAIRCASE DETAIL
SCALE: NTS



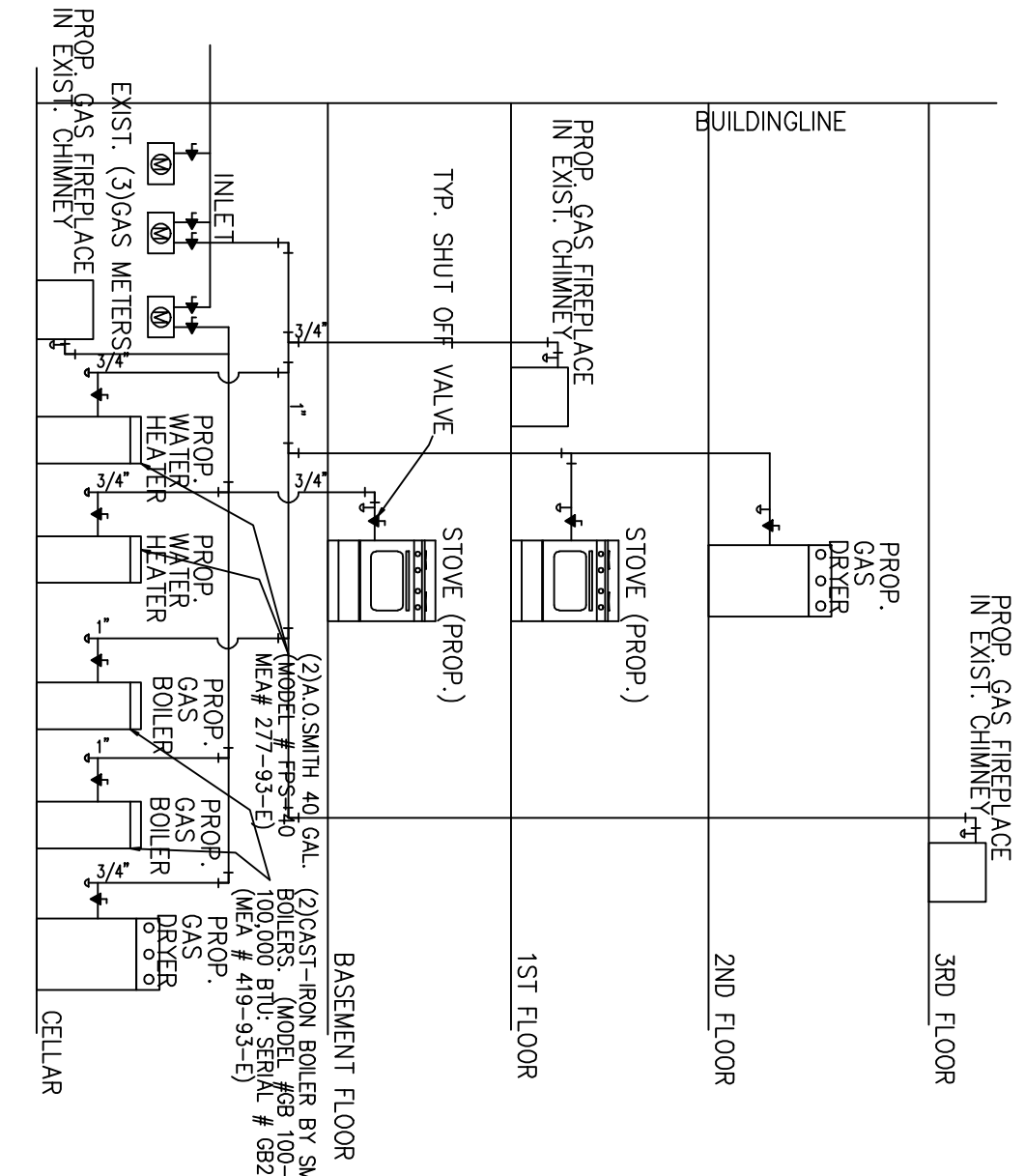
STEEL LINTEL DETAIL
SCALE: NTS



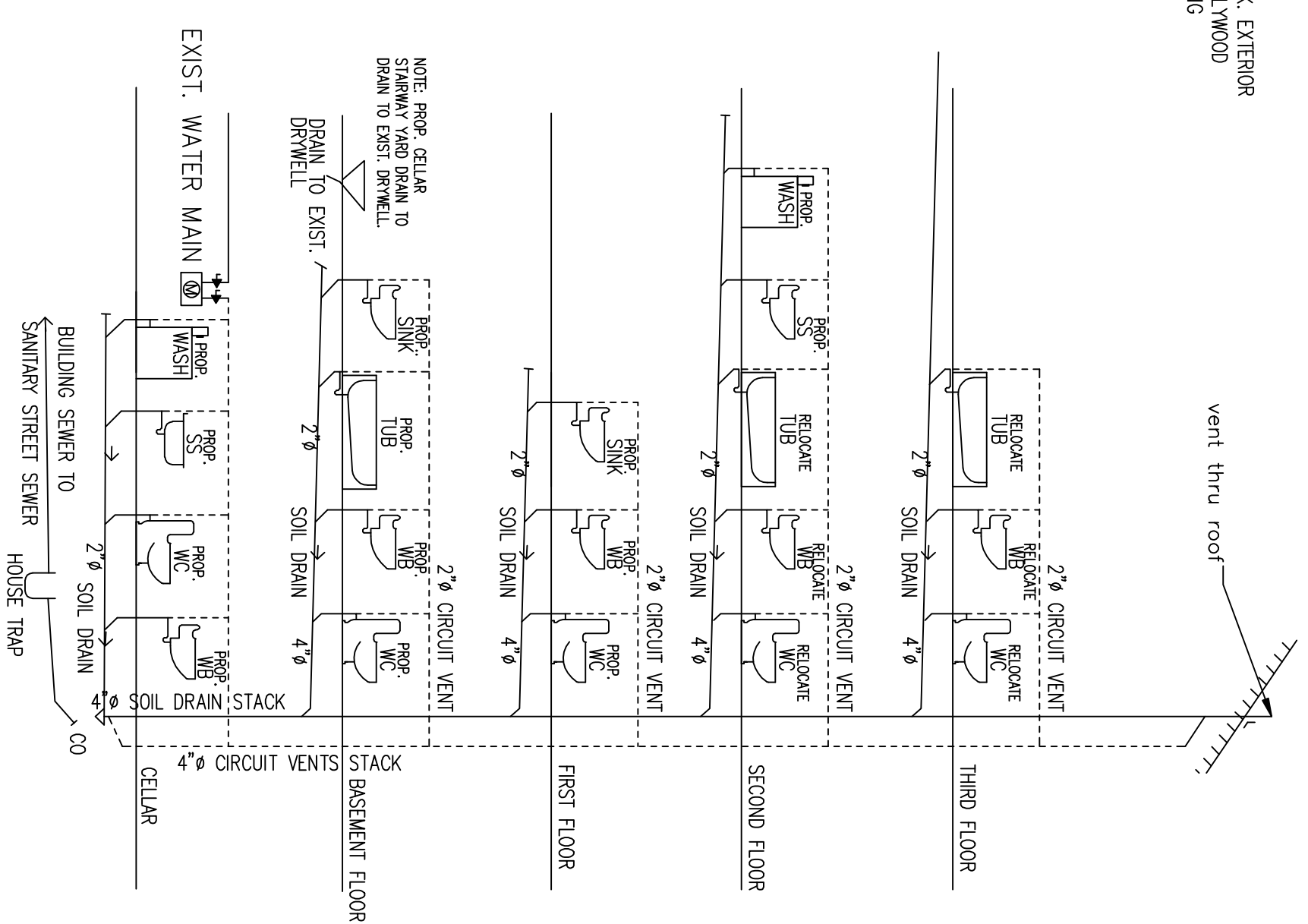
UNDERPINNING PLAN
SCALE: 1/4"=1'-0"



ROOF PLAN
SCALE: 1/4"=1'-0"



GAS RISER DIAGRAM
SCALE: NTS



PLUMBING DIAGRAM
SCALE: NTS

ABBREVIATIONS
C/C - CENTER TO CENTER
CL - CLOSET
DN - DOWN
DU - DWELLING UNIT
EX - EXISTING
F - FLOOR
GR - GAS COOKING RANGE
KS - KITCHEN SINK
REF - REFRIGERATOR
RP - REPROPOSED
SD - SMOKE DETECTOR
SS - SLOP SINK
WS - WASH BASIN
WM - WATER MAIN
WH - WATER HEATER
WM - GAS METER
EM - ELECTRIC METER
WD - WATER MAIN
FD - FLOOR DRAIN

Address: 22 SECOND STREET BROOKLYN, NY 11106	
TITLE: UNDERPINNING PLAN/DETAIL/NOTES LINTEL DETAIL, STAIR DETAIL, STEEL COLUMN DETAIL RISER DIAGRAMS PROJECT: PROP. 3 DWELLING UNITS INTO 2 DWELLING UNITS	
No. _____ Revisions _____ Date _____	PAUL F. MARINO, P.E. 94-04 Sulphur Blvd. Jamaica, NY, 11435. Tel: (718) 291-6555 fax: (718) 291-8646
DATE: 6/11/08 SCALE: As Noted CHECKED: P. MARINO REV. NO. _____	SEAL DATE: 6/11/08 SCALE: As Noted CHECKED: P. MARINO REV. NO. _____